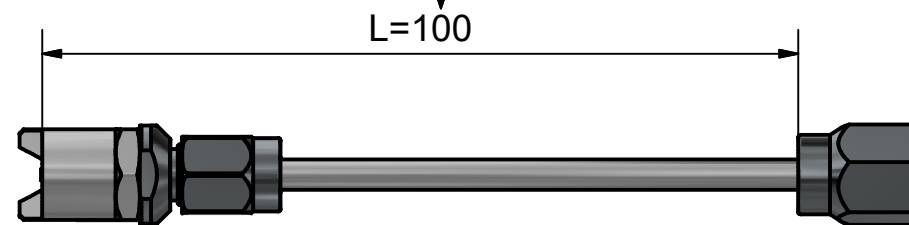


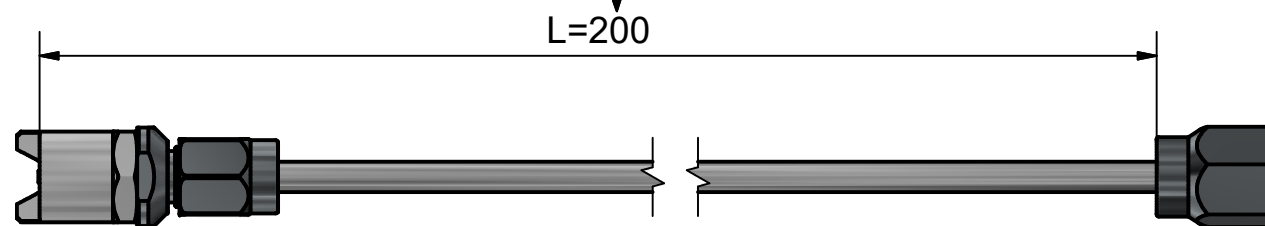
**Item number:**

**SPK003100** - Lance-SD18 - BS-Attachment



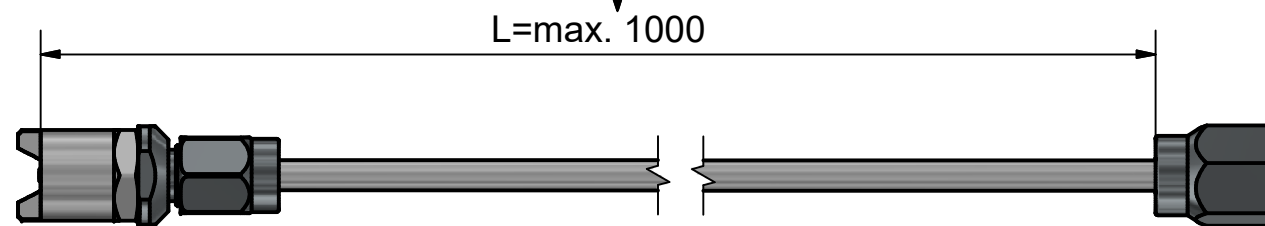
**Item number:**

**SPK003200** - Lance-SD18 - BS-Attachment



**Item number:**

**SPK004000** - Lance-SD18 - BS-Attachment




**Determination of your lance item number:**

**SPK003000 + [ L = Lance length ]**

Example: SPK003000 + [ L = 250 ] = **SPK003250**  
 SPK003000 + [ L = 1000 ] = **SPK004000**

**On request, lances can be bent in our company according to your specifications / sketch.**

General tolerance DIN ISO 2768-mK			
Modification	Date of issue	Comment	Item number
A. Hiessl	10.09.2020	Assembly dimensions	SPK00XXXX
		Document type	
		Assembly drawing	
		Item description	Lance-SD18 - BS-Attachment
 <b>HIESSL</b> Schmiertechnik GmbH D - 72663 Grossbottlingen		Scale: 1:1	A3
<small>Vervielfältigen und Kopieren nur mit unserer Genehmigung / Reproduce or copy only with our permission</small>			